

BXUVC.O600 Fire-resistance Ratings

[Page Bottom](#)

BXUVC - Fire-resistance Ratings

[See General Information for Fire-resistance Ratings](#)

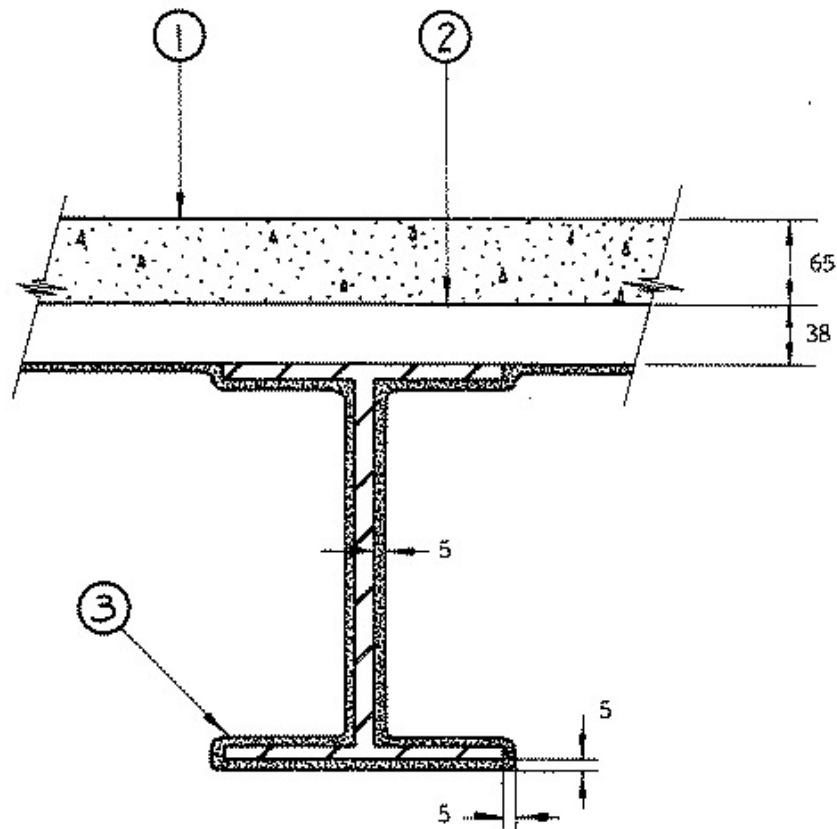
Design No. O600

November 14, 2002

Restrained Beam Rating - 1 h

Unrestrained Beam Rating - 1 h

Load Restricted — Assembly evaluated in accordance with Working Stress Design methods, for use under Limit States Design methods; refer to information under Guide BXUVC.



Beam — Beam-W200x36, Minimum Size.

1. **Sand-Gravel Concrete** — $2400 \pm 50 \text{ kg/m}^3$.

2. **Fluted and Cellular Steel Floor Units** — Welded to beam.

3. **Mastic and Intumescent Coating** — (CAVNC). The use of Flame Control No. 50-44 requires proper ventilation during application and drying to minimize the possibility of an accumulation of flammable vapours. Such accumulation may be indicated by strong solvent odours. Applied in one coat to design thickness requirements. When fluted steel deck is used, the area between the steel deck and the beam top flange shall be filled.

FLAME CONTROL COATINGS L L C

Last Updated on 2002-11-14

[Questions?](#)

[Print this page](#)

[Terms of Use](#)

[Page Top](#)

Copyright © 2015 Underwriters Laboratories of Canada Inc.

When the UL Leaf Mark is on the product, or when the word "Environment" is included in the UL Mark, please search the [UL Environment database](#) for additional information regarding this product's certification.

The appearance of a company's name or product in this database does not in itself assure that products so identified have been manufactured under ULC's Follow-Up Service. Only those products bearing the ULC Mark should be considered to be Listed and covered under ULC's Follow-Up Service. Always look for the Mark on the product.

ULC permits the reproduction of the material contained in the ULC Online Directories subject to the following conditions: 1. The Guide Information, Designs and/or Listings (files) must be presented in their entirety and in a non-misleading manner, without any manipulation of the data (or drawings). 2. The statement "Reprinted from the ULC Online Directories with permission from Underwriters Laboratories of Canada Inc." must appear adjacent to the extracted material. In addition, the reprinted material must include a copyright notice in the following format: "Copyright © 2015 Underwriters Laboratories of Canada Inc."

An independent organization working for a safer world with integrity, precision and knowledge.

